

VP-250 .260. 270 盲法蘭 / 單片 / 二片式法蘭 Blind Flanges / One-piece (TS) Flanges /

● Specification: JIS 10K / ANSI 150
LBS / DIN PN10

● 規格：JIS / ANSI / DIN

Type 品號	Size 尺寸	Standard 規格	Material 材質	End type 接口
VP-250	1/2"~12"	ANSI, JIS, DIN	PVC	Flanged
VP-251	1/2"~12"	ANSI, JIS, DIN	CPVC	Flanged
VP-260	1/2"~12"	ANSI, JIS, DIN	PVC	Socket, Threaded / Flanged
VP-261	1/2"~12"	ANSI, JIS, DIN	CPVC	Socket, Threaded / Flanged
VP-270	2"~16"	ANSI	PVC	Socket, Threaded / Flanged
VP-271	2"~16"	ANSI	CPVC	Socket, Threaded / Flanged

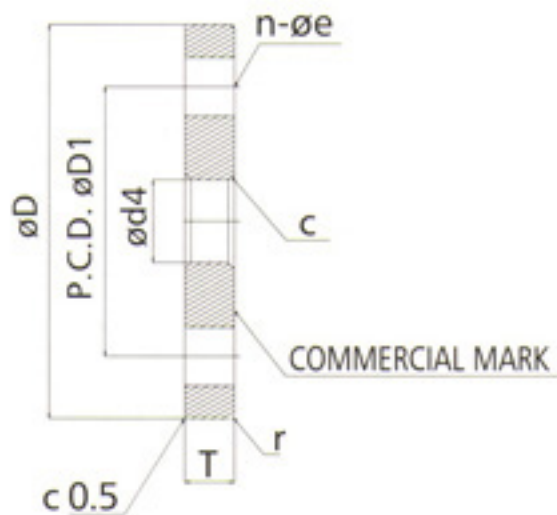


Two-piece (Van Stone) Flanges

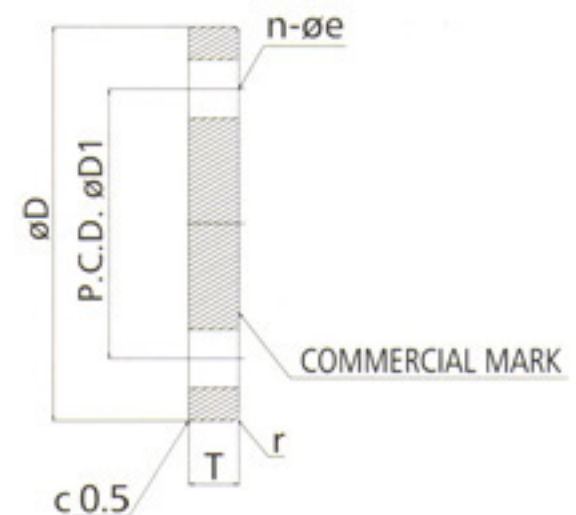
DIN PN-10 FLANGE

Nom.	SIZE	15mm (1/2")	20mm (3/4")	25mm (1")	32mm (1-1/4")	40mm (1-1/2")	50mm (2")	65mm (2-1/2")	80mm (3")	100mm (4")	125mm (5")	150mm (6")
D		95	105	115	140	150	165	185	200	220	250	285
P.C.D. D1		65	75	85	100	110	125	145	160	180	210	240
D2		27	33	41	50	61	76	90	108	131	165	188
D3		35	44	52	56	66	84	105	118	140	132	152
d1		16	21	28	36	45	57	69	82	102	132	152
d2		20.3	25.3	32.3	40.3	50.3	63.3	75.3	90.3	110.4	140.5	160.5
d3		20.1	25.1	32.1	40.1	50.1	63.1	75.1	90.1	110.1	140.2	160.2
d4		20	25	32	40	50	63	75	90	110	140	160
h		16	19	22	26	31	38	44	51	61	76	86
h1		15	16.3	19	21.4	21.4	26	28	30	33		
L		19	22	25	29	34	41	47	56	66	81	91
L1		19	22	22	23	23	26	28	30	33		
T		12	14	14	14	16	16	16	18	18	18	21
n-øe		4-ø14	4-ø14	4-ø14	4-ø18	4-ø18	4-ø18	4-ø18	8-ø18	8-ø18	8-ø18	8-ø18
N		R1/2"	R3/4"	R1"	R1-1/4"	R1-1/2"	R2"	R2-1/2"	R3"	R4"		
r		r1.5	r1.5	r1.5	r1.5	r1.5	r1.5	r1.5	r1.5	r1.5	r1.5	r1.5
c		1.5x45°	1.5x45°	1.5x45°	1.5x45°	1.5x45°	1.5x45°	1.5x45°	1.5x45°	1.5x45°	1.5x45°	1.5x45°

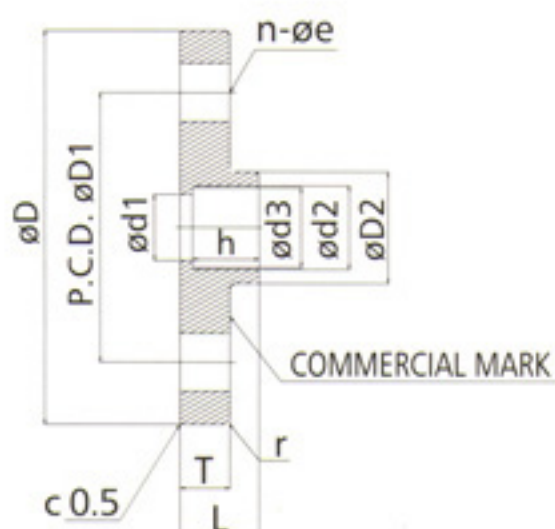
DIN PN-10 Backing Rings FLANGE



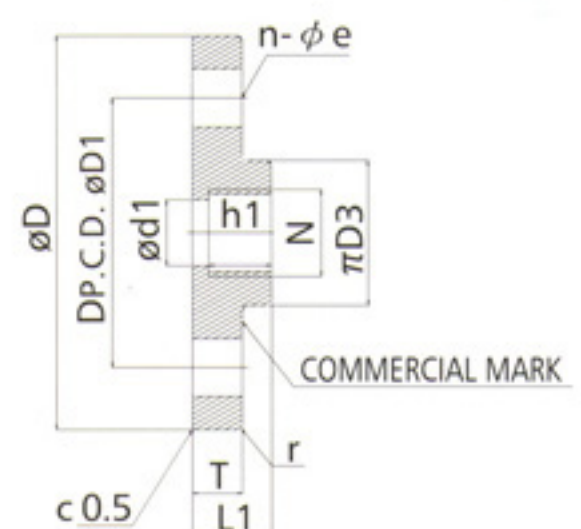
Blind FLANGE



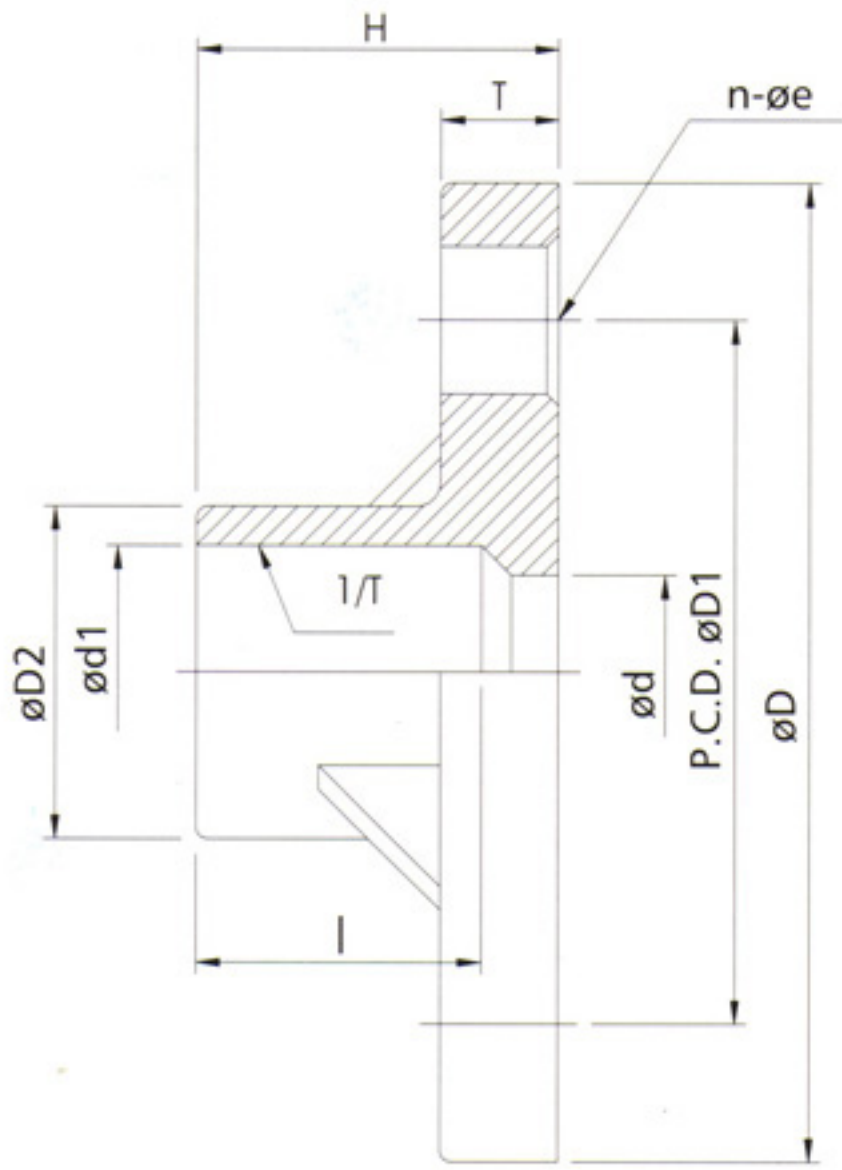
Socket FLANGE



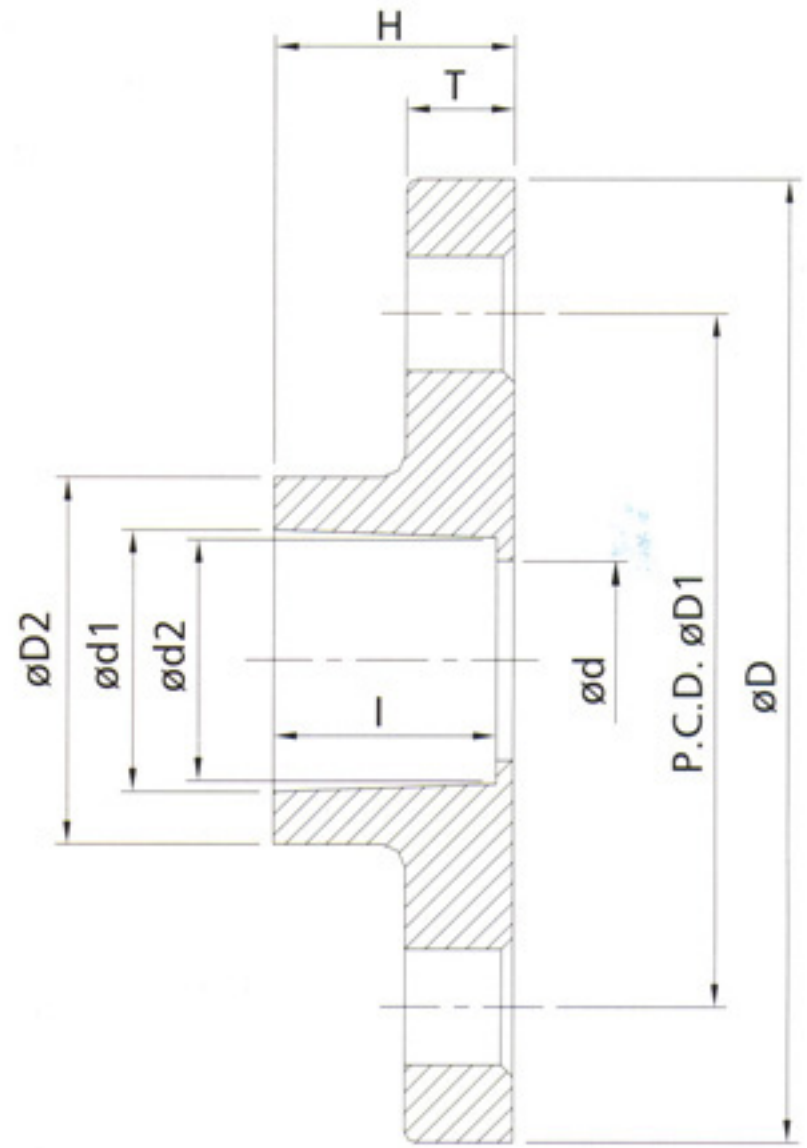
Thread FLANGE



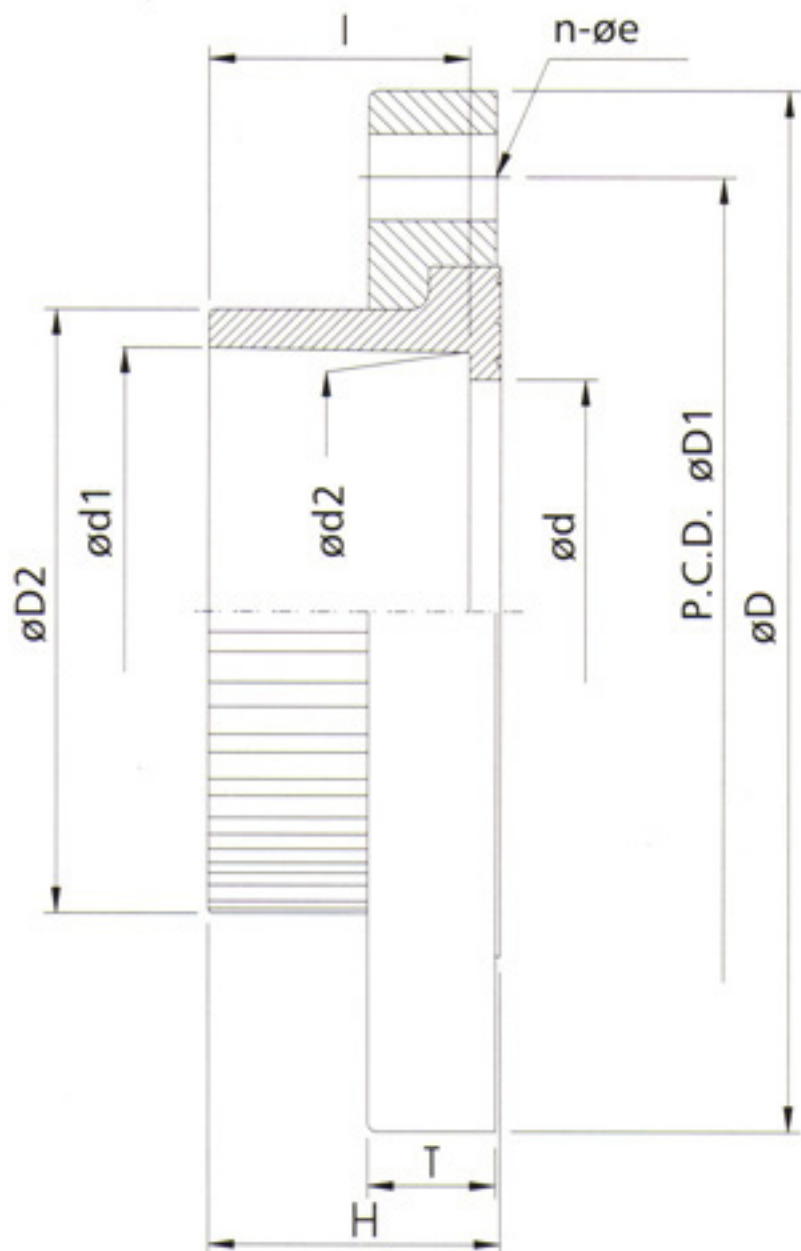
● JIS 10K FLANGE



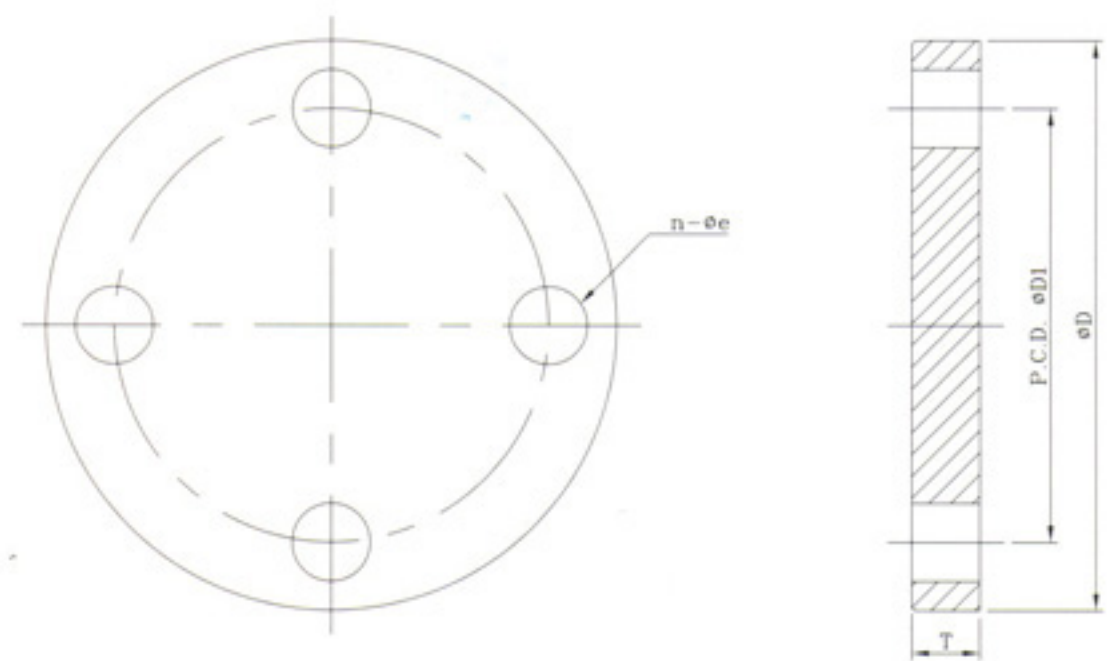
● ANSI 150PSI FLANGE



● ANSI CLASS 150 SCH.80



● BLIND FLANGE



JIS 10K

SIZE Nom.	10mm (3/8")	15mm (1/2")	20mm (3/4")	25mm (1")	32mm (1-1/4")	40mm (1-1/2")	50mm (2")	65mm (2-1/2")	80mm (3")	100mm (4")	125mm (5")	150mm (6")	200mm (8")	250mm (10")	300mm (12")
D2	26	31	35	42.5	48.5	61	73	90	105	132	158	186	238	289	341
D1	65	70	75	90	100	105	120	140	150	175	210	240	290	355	400
D	90	95	100	125	135	140	155	175	185	210	250	280	330	400	445
d1	18.4	22.4	26.45	32.55	38.6	48.70	60.80	76.60	89.60	114.7	140.8	166.0	217.5	267.7	318.7
d	15	18	22	25	30	41	52	67	78	100	125	146	196	247	298
H	30	35	40	46	50.5	61.5	71	70	73	93	114	142	161	167	167
I	26	30	35	40	44	55	63	61	64	84	104	132	145	155	155
T	14	14	15	15	16	16	20	22	22	22	24	26	28	30	30
n-øe	4-15	4-15	4-15	4-19	4-19	4-19	4-19	4-19	8-19	8-19	8-23	8-23	12-23	12-25	16-25
1/T	1/30	1/34	1/34	1/34	1/34	1/37	1/37	1/48	1/49	1/56	1/58	1/63	1/50	1/55	1/55

ANSI 150PSI FLANGE (one piece)

SIZE Nom.	15mm (1/2")	20mm (3/4")	25mm (1")	32mm (1-1/4")	40mm (1-1/2")	50mm (2")	65mm (2-1/2")	80mm (3")	100mm (4")
D2	33	40	48	57	65	78	92	109	139
D1	60	70	79	89	98	121	140	152	191
D	89	98	108	117	127	152	178	191	229
d2	21.23	26.57	33.27	42.04	48.11	60.17	72.85	88.70	114.07
d1	21.54	26.87	33.65	42.42	48.56	60.63	73.38	89.31	114.76
H	25	29	31.7	35	38	41.3	47.6	50.8	61
I	22.22	25.4	28.58	31.75	34.93	38.1	44.45	47.63	57.15
T	11.1	12.7	14.3	16	17.5	19.1	23.8	25.4	28.6
n-øe	4-16	4-16	4-16	4-16	4-16	4-19	4-19	4-19	8-19
ød	15	25	31	40	46	57.5	70	78	111.5

ANSI CLASS 150 SCH.80 (van stone)

SIZE Nom.	50mm (2")	65mm (2-1/2")	80mm (3")	100mm (4")	150mm (6")	200mm (8")	250mm (10")	300mm (12")	350mm (14")	400mm (16")
D1	152	178	192	229	284	343	406	481	533	600
D2	121	140	152	191	241	298	362	432	476	540
D3	76	92	108	133	191	238	310	364	395	452
d	51	68	77	102	156	204	256	307	332	384
d1	60.17	72.85	88.7	114.07	168	218.7	272.67	323.47	354.84	405.67
d2	60.63	73.38	89.31	114.76	168.83	219.84	273.81	324.61	356.49	407.54
H	43	49	54	64	85	118	150	191	195	220
T	20	24	26	28	32	36	42	42	50.8	60
I	38.1	44.45	47.63	57.15	76.2	102	123	165	179	204
n-øe	4-19	4-19	4-19	8-19	8-22	8-22	12-25	12-25	12-29	16-29

BLIND FLANGE

SIZE Nom.	15mm (1/2")	20mm (3/4")	25mm (1")	30mm (1-1/4")	40mm (1-1/2")	50mm (2")	65mm (2-1/2")	80mm (3")	100mm (4")	125mm (5")	150mm (6")	200mm (8")	250mm (10")	300mm (12")	
ANSI	D	89	98	108	117	127	152	178	191	229	-	284	343	406	481
	D1	60	70	79	89	98	121	140	152	191	-	241	298	362	432
	T	11.1	12.7	14.3	16	17.5	19.1	23.8	25.4	28.6	-	26	28	30	30
JIS	D	95	100	125	135	140	155	175	185	210	250	280	330	400	445
	D1	70	75	90	100	105	120	140	150	175	210	240	290	355	400
	T	14	15	15	16	16	20	22	22	22	24	26	28	30	30
n-øe	ANSI	4-16	4-16	4-16	4-16	4-16	4-19	4-19	4-19	8-19	8-19	8-22	8-22	12-25	12-25
	JIS	4-15	4-15	4-19	4-19	4-19	4-19	4-19	8-19	8-19	8-23	8-23	12-23	12-25	16-25